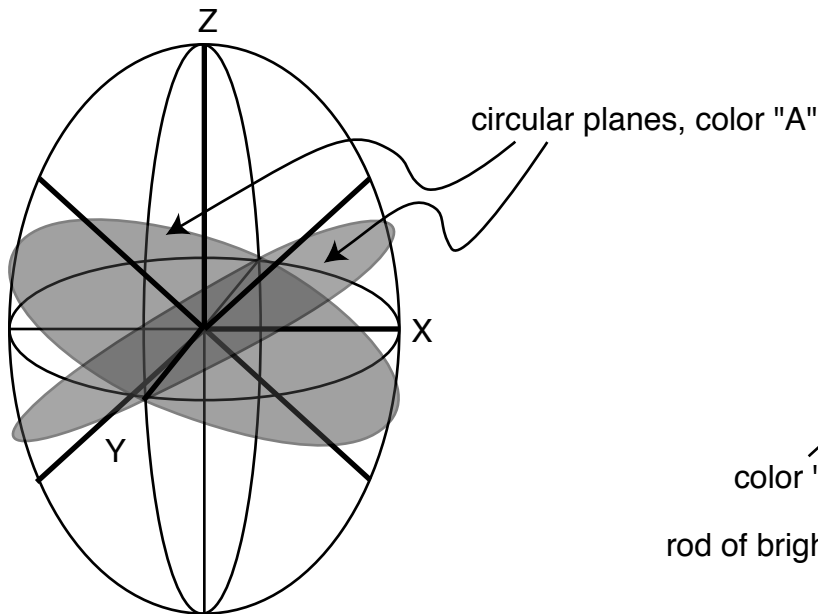
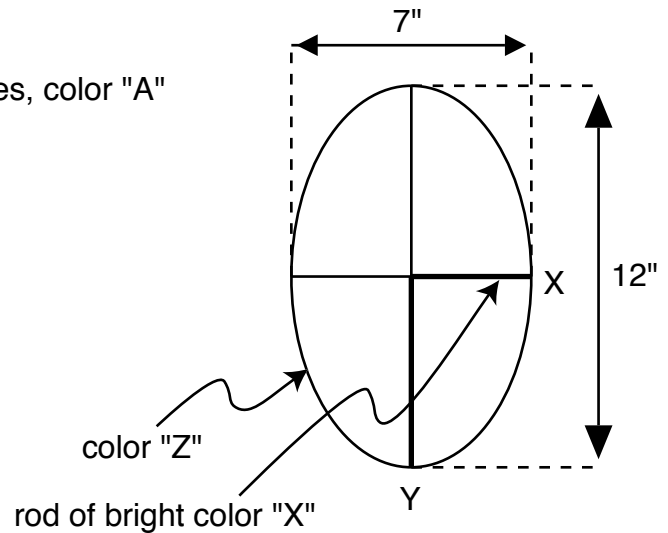


Biaxial Negative Indicatrix

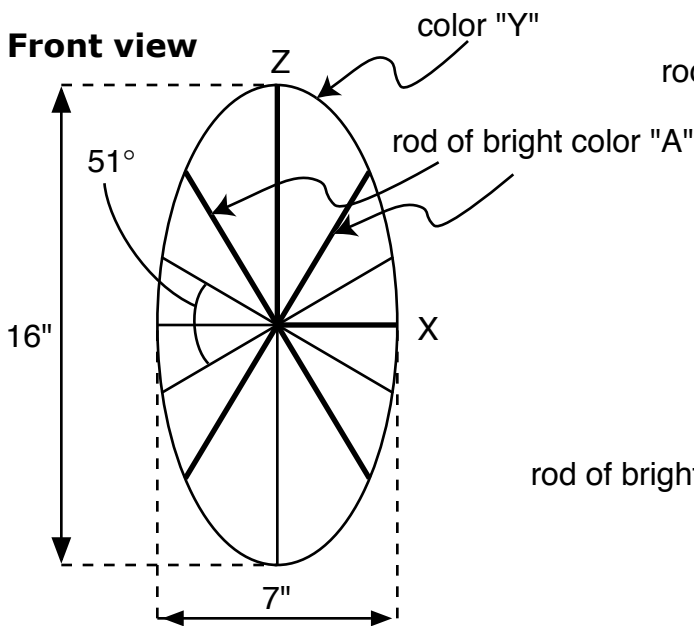
Perspective view



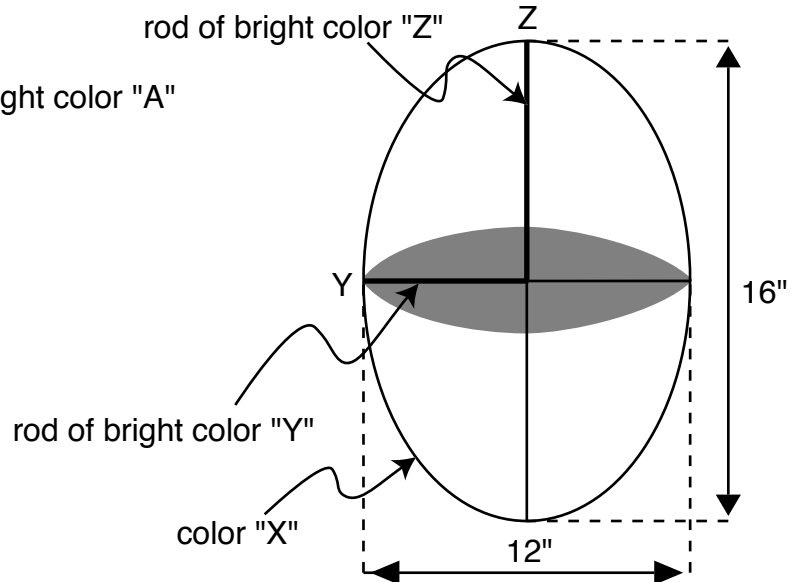
Top view



Front view



Side view



Object is made up of five intersecting planes of plastic, preferably within a clear plastic ellipsoidal "shell". Each plane is a color, and the shell is clear. The three orthogonal ellipse planes are each a different pale color, and the two circular planes are a darker color.

Perpendicular to each of the planes is a rod. The rods are colored a stronger version of the plane they are perpendicular to. The three orthogonal rods do not completely cross the object, but come out from the center. The two rods that are perpendicular to the circular planes are through-going.